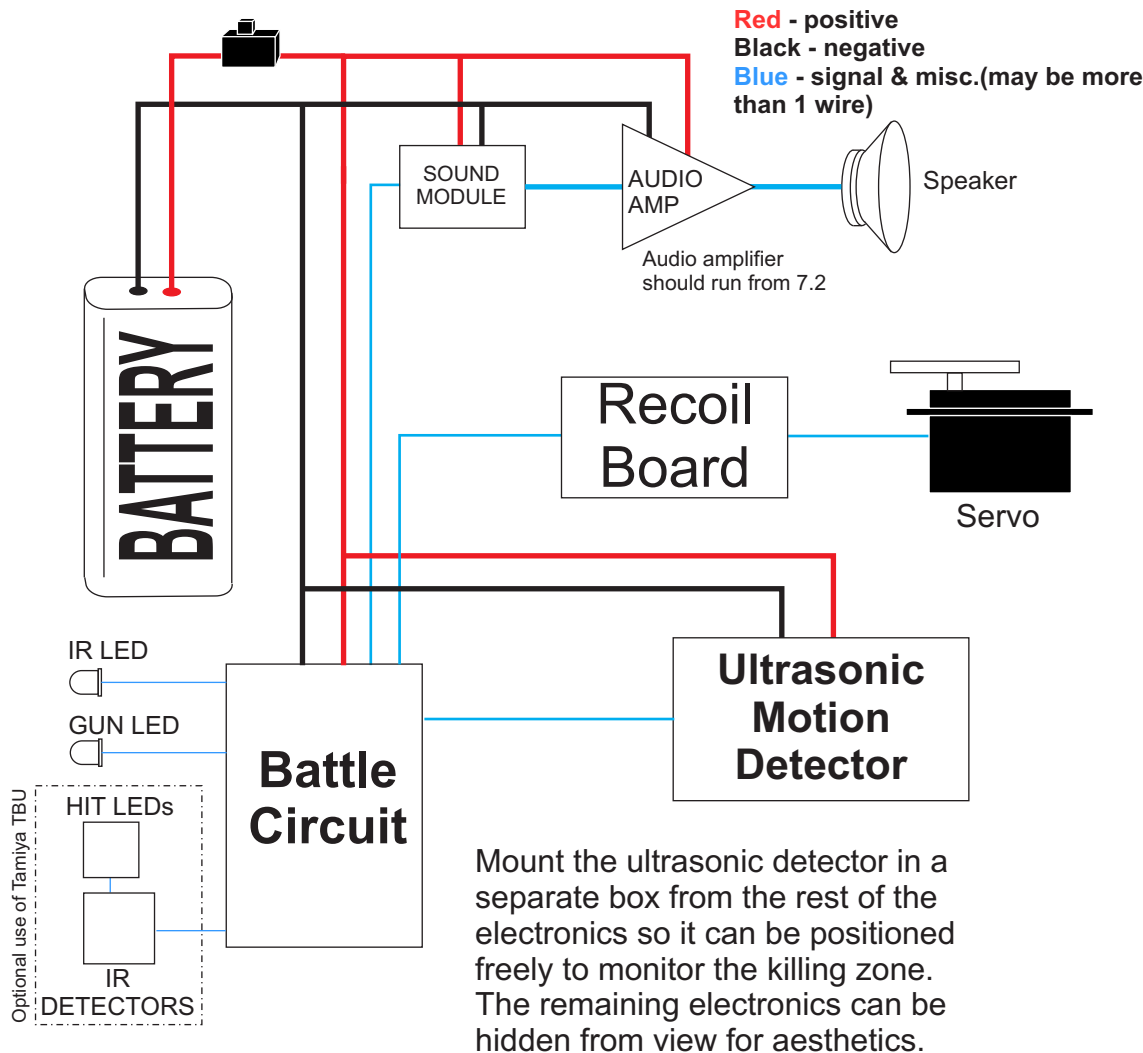


Here is the wiring diagram on how to hookup the Battle Circuit with the 21st Century Pak 40.

An ultrasonic motion detector kit is interfaced to signal the board to fire.

This is a wiring guide, the actual mechanics for the modification are not covered but briefly mentioned. It is up to you and your modeling skills to create the proper mechanics.



1. Disassemble gun barrel, remove muzzle break and drill through. Run a wire through and secure the white flash LED to the end of the barrel. Reattach the muzzle break.
2. When reassembling the gun barrel be sure that recoil motion is smooth across entire path.
3. Mount infrared LED and detector with hit LEDs. Cut three of the four detectors off to make it so the gun can only receive a hit from the front.
4. Set up battle circuit and check servo travel for recoil.
5. Mount recoil servo. Ensure mechanism between servo and gun barrel operates smoothly. Servo should travel freely during entire motion.